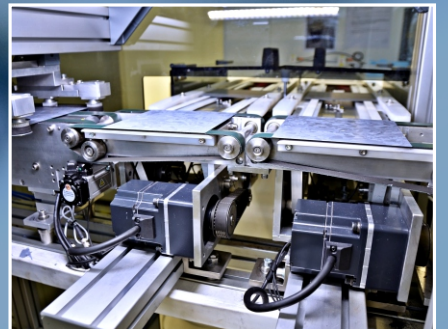
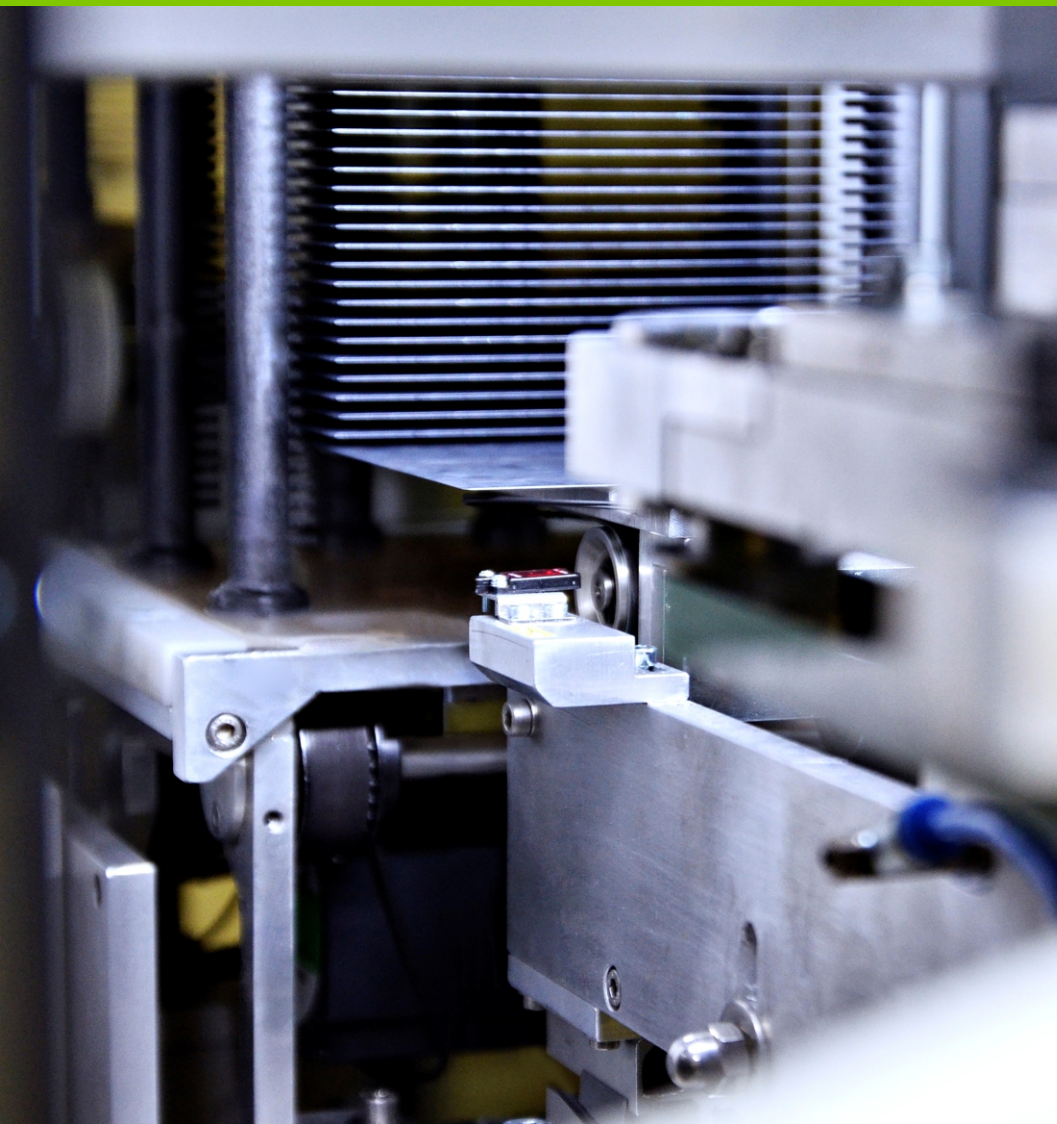


PHOTOVOLTAIC SILICON WAFER LOADING/UNLOADING SYSTEM



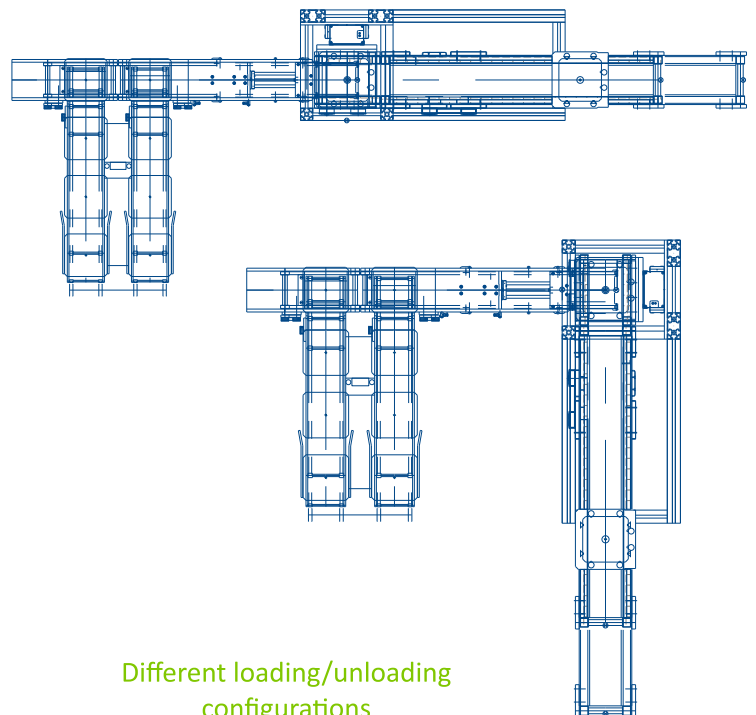
Kemek Engineering offers automated Loading/Unloading system for silicon wafer based photovoltaic production lines. Our system provides effective wafer handling with single side transfer, extremely low breakage rate and damage detection. With more than 25 years of engineering experience we are able to create unique products and complex automated solutions for the best price/quality ratio.





Technical data

Input voltage	200-240 VAC
Max. Power consumption	5,0 kW
CDa pressure	4-8 bar
Loading dimensions (l x w x h)	2960 x 1350 x 1870
Unloading dimensions (l x w x h)	2960 x 2120 x 1870
In/output lanes	2 (more lanes available)
Wafer size	156 x156 mm
Wafer thickness	200 µm
Cassette type	ACR
Wafer breakage rate	<0,05%
Throughput W/h	1200/h
Storage capacity	4 cassettes
Breakage detection	Unloading only



JSC Kemek Engineering

Mokslininkų str. 6A, Vilnius, Lithuania • Phone: +370 5 249 10 10 • E-mail: info.lt@kemek.eu

www.kemek.eu